

Stainless-Steel | PRODUCT CATALOGUE



SUNRIDGE



about **SUNRIDGE**

“ THE INDEPENDENT FOR THE INDEPENDENTS’ ”

Sunridge is the largest independently owned plumbing distributor in Southern Africa. We are a Proudly South African owned business invested in the future of South Africa. The business to date has grown organically and will continue to grow by investing in the business and its people. The strong Management Team at Sunridge have more than 100 years' experience in the South African Plumbing Industry. Our culture is people centric, and we have doubled our staff compliment the past few years. **“You don't build a business, you build people, then people build the business.”** As a national distributor, the business has premises in Westmead KwaZulu-Natal, Modderfontein in Gauteng, and Blackheath in Cape Town. Combined under-roof warehouses consist of 15 000sqm and yard space of a further 20 000sqm. The business consists of sourcing, design, engineering, sales, specification, warehousing, and distribution of Sunridge-owned and established third-party brands recognised for their high quality and value in the plumbing market. We have the most comprehensive range of plumbing-related products for both “Front of wall” and “Behind the wall” solutions.

The business commits to great product, service and other initiatives that impact lives within and outside the organization. Sunridge stand behind all the branded products we supply and will honour all warranties and guarantees in the relevant product categories we stock. We have public liability insurance cover in place to stand behind and back any product liability claims if required, namely R100m. Our Product ranges and categories have grown exponentially over the past 4 years ensuring we cement our position as a One Stop solution to all our clients. Numerous of our products and categories have international as well as South African approvals. The business has experienced major exponential sales growth over the past few years through strong relationships with our clients and a customer centric mentality. We have equally strong relationships with our numerous suppliers, both locally and around the world. The Sunridge business mission is to provide an ethical, transparent, and consistent standard of quality, price, and service to all our customers. By doing so, we will be recognised as the leader in the industry in Southern Africa.



index

PRODUCT CATALOGUE

CATERING Equipment

Wall Benches SR-WB.....	6
Table Series SR-TAB.....	7
Catering Sinks SR-S1.....	8
Catering Sinks SR-S2.....	10
Pot Sink SR-P1.....	11
Pot Sink SR-P2.....	12
Combination Catering & Pot Sink Series SR-S1 & SR-P1.....	14
Grease Trap SR-GTR.....	17
Catering & Pot Sinks Undershelves SR-SOL & SR-SLAT.....	18
Stainless-Steel Floor Drain SR-FD.....	19

HOSPITAL Equipment

Slop Hopper Model SR-HS.....	22
Drip Sink Model SR-DRIP.....	23
Drip Sink LDS with Grid SR-LDS-GRID.....	24
LDL Drop On Wash Trough SR-LDL-SINK.....	26
Plaster Of Paris Preparation Sink Model SR-POP.....	27
Baby Baths Model SR-BABB-DI.....	28
Baby Baths Model SR-GBF.....	29
Surgeon Scrub Ups SR-SWM.....	31
Surgeon Scrub Ups SR-SFM.....	32
Surgeon Scrub Ups SR-MIN-SWM.....	33
Post-Mortem Tables SR-POST-1980.....	34
Post-Mortem Tables SR-POST-2565.....	35
Combination Bedpan & Wash Up Sinks SR-1130-EL.....	36
Combination Bedpan & Wash Up Sinks SR-1830.....	37
Bedpan Bottle Racks SR-BRACK.....	38
Model Body Trays SR-STD-TRAY & SR-OBESE-BODY.....	40
Instrumental Cabinets with Glass Doors SR-INST-CAB.....	41
Writing Desk SR-WDESK.....	42
Sunridge Commercial Accessories SR-CIS-SHL & SR-CIS-LOW.....	43



index

PRODUCT CATALOGUE

SANITARY Equipment

WC Pan Floor Mounted Pan SR-FM-WCP.....	46
WC Pan Wall Mounted Pan SR-WM-WCP.....	47
Top Entry Bowl Urinal SR-TE-BOWL.....	48
Curve Back Urinal CB101 & CB102.....	49
Trough Urinal SR-TU MODEL.....	50
Pedestal Drinking Fountain.....	51
Flat Bed Basin Series - Wash Hand Basins.....	52
Single Wash Hand Basin SR-WHB-001.....	53
Single Wash Hand Basin SR-WHB-001-T.....	54
Range of Wash Hand Basins.....	55
Wash Hand Basin with Surround Apron.....	56
Wash hand Basin with Brackets.....	57
Wall Hung Luxtub LDL With Stainless Steel Dura Brackets.....	58

HEAVY-DUTY PRISON Equipment

Build-In Drinking Fountain.....	62
Wall & Floor Mounted WC Pan with Extended Inlet Pipes.....	63
Prison Type Wall & Floor Mounted WC Pan.....	64
Combination Wash Hand Basin & WC Pan.....	65
Heavy-Duty Wash Hand Basin with Surround Apron & Splashback.....	66
Heavy-Duty Wall Hung Urinal Flat Back Fixed to Wall.....	67





The following products are produced from Grade 304 (18/10) stainless steel.

All products are supported by a 30 x 30 x 3mm frame with a galvanised backing sheet.

All sizes to be specified on order.

All bolts to be supplied by the installer.

All dimensions are in millimetres (mm).

CATERING Equipment **Commercial**

Wall Benches



Specification: SR-WB "W" Series Wall Bench

Sunridge Model: SR-WB "W" Series,

Stainless Steel Thickness: 1.2mm,

Splashback: 150mm to back only,

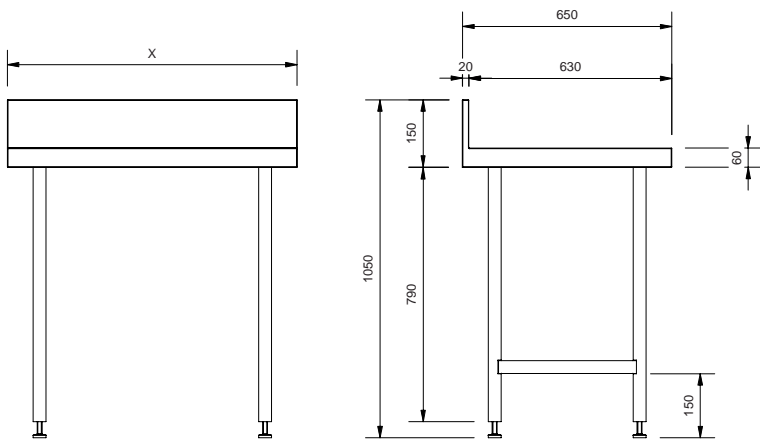
Turndown: 60 x 12mm on all remaining sides,

Framework: 30 x 30 x 3mm with galvanised backing sheet,

The Wall Bench will be supplied with a set of 41mm Ø detachable legs and adjustable foot pieces,

Invoiced separately but will be quoted as one complete unit.

X: Varied Dimensions



BACK VIEW

SIDE VIEW

CODE	LENGTH	WIDTH	HEIGHT
SR-WB-900	900	650	1050
SR-WB-1050	1050	650	1050
SR-WB-1200	1200	650	1050
SR-WB-1500	1500	650	1050
SR-WB-1600	1600	650	1050
SR-WB-1700	1700	650	1050
SR-WB-1850	1850	650	1050
SR-WB-2250	2250	650	1050
SR-WB-2300	2300	650	1050
SR-WB-2400	2400	650	1050
SR-WB-2600	2600	650	1050
SR-WB-3000	3000	650	1050

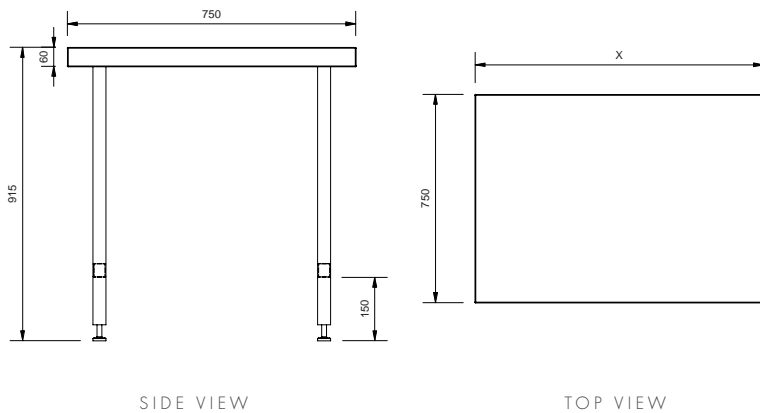
Table Series



Specification: SR-TAB "T" Series Table

Sunridge Model: SR-TAB,
 Stainless Steel Thickness: 1.2mm,
 Turndown: 60 x 12mm on all remaining sides,
 Framework: 30 x 30 x 3mm with galvanised backing sheet,
 The Table Series will be supplied with a set of 41mm Ø detachable legs
 and adjustable foot pieces,
 Invoiced separately but will be quoted as one complete unit.

X: Varied Dimensions



CODE	LENGTH	WIDTH	HEIGHT
SR-TAB-900	900	750	915
SR-TAB-1000	1000	750	915
SR-TAB-1100	1100	750	915
SR-TAB-1200	1200	750	915
SR-TAB-1500	1500	750	915
SR-TAB-1650	1650	750	915
SR-TAB-1700	1700	750	915
SR-TAB-1850	1850	750	915
SR-TAB-2000	2000	750	915
SR-TAB-2200	2200	750	915
SR-TAB-2300	2300	750	915
SR-TAB-2400	2400	750	915
SR-TAB-3000	3000	750	915

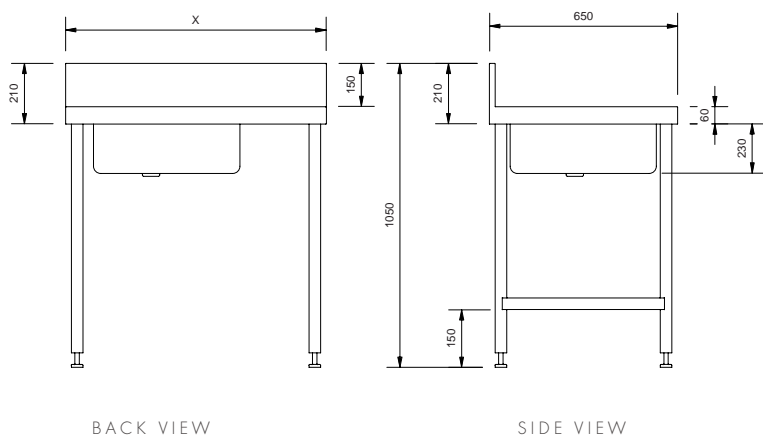
Catering Sinks S1



Specification: SR-CAT S1 Single Bowl Catering Sink

Sunridge Model: SR-CAT "S1",
 Bowl Size: 505 x 505 x 230mm deep,
 Stainless Steel Thickness: 1.2mm,
 Splashback: 150mm to back only,
 Turndown: 60 x 12mm on all remaining sides,
 Framework: 30 x 30 x 3mm with galvanised backing sheet,
 Included: Spillproof hospital bead around all edges,
 The Catering Sink will be supplied with a set of 41mm Ø detachable legs
 and adjustable foot pieces,
 Invoiced separately but will be quoted as one complete unit.

X: Varied Dimensions



CODE	LENGTH	WIDTH	HEIGHT	BOWL POSITION
SR-CAT-900	900	650	1050	Centre
SR-CAT-1000	1000	650	1050	Centre
SR-CAT-1200	1200	650	1050	Centre, Left or Right
SR-CAT-1350	1350	650	1050	Centre, Left or Right
SR-CAT-1500	1500	650	1050	Centre, Left or Right
SR-CAT-1650	1650	650	1050	Centre, Left or Right
SR-CAT-1700	1700	650	1050	Centre, Left or Right
SR-CAT-1850	1850	650	1050	Centre, Left or Right
SR-CAT-2300	2300	650	1050	Centre, Left or Right



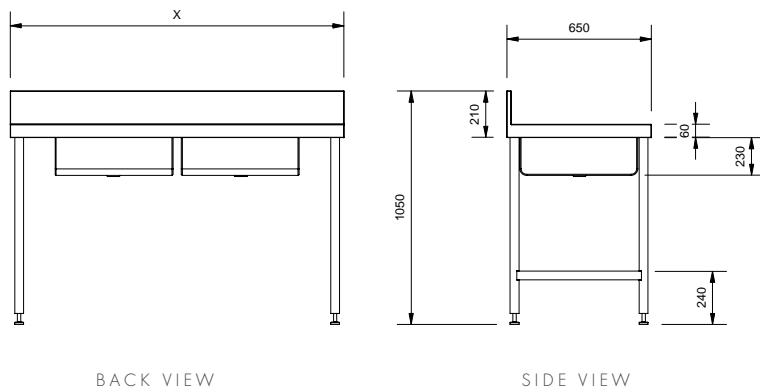
Catering Sinks S2



Specification: SR-CAT S2 Double Bowl Catering Sink

Sunridge Model: SR-CAT "S2" ,
 Bowl Size: 505 x 505 x 230mm deep,
 Stainless Steel Thickness: 1.2mm,
 Splashback: 150mm to back only,
 Turndown: 60 x 12mm on all remaining sides,
 Framework: 30 x 30 x 3mm with galvanised backing sheet,
 Included: Spillproof hospital bead around all edges,
 The Catering Sink will be supplied with a set of 41mm Ø detachable legs
 and adjustable foot pieces,
 Invoiced separately but will be quoted as one complete unit.

X: Varied Dimensions



CODE	LENGTH	WIDTH	HEIGHT	BOWL POSITION
SR-CAT-1500	1500	650	1050	Centre
SR-CAT-1650	1650	650	1050	Centre
SR-CAT-1700	1700	650	1050	Centre
SR-CAT-1850	1850	650	1050	Centre, Left or Right
SR-CAT-2130	2130	650	1050	Centre, Left or Right
SR-CAT-2400	2400	650	1050	Centre, Left or Right
SR-CAT-2500	2500	650	1050	Triple Bowl
SR-CAT-2675	2675	650	1050	Centre, Left or Right
SR-CAT-2850	2850	650	1050	Centre, Left or Right
SR-CAT-3600	3600	650	1050	Quatro Bowl

*Triple Bowl: SR-CAT "S3"

*Quatro Bowl: SR-CAT "S4"

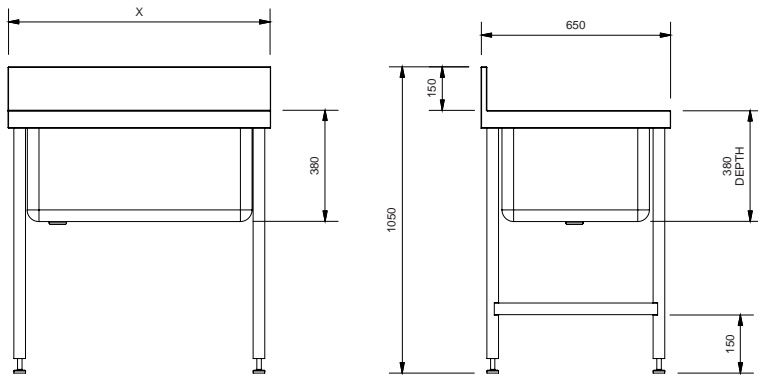
Pot Wash Sink



Specification: SR-POT "P1" Single Bowl Pot Sink

Sunridge Model: SR-POT "P1" ,
 Bowl Size: 760 x 460 x 380mm deep,
 Stainless Steel Thickness: 1.2mm,
 Splashback: 150mm to back only,
 Turndown: 60 x 12mm on all remaining sides,
 Framework: 30 x 30 x 3mm with galvanised backing sheet,
 Included: Spillroof hospital bead around all edges,
 The Pot Wash Sink will be supplied with a set of 41mm Ø detachable legs
 and adjustable foot pieces,
 Invoiced separately but will be quoted as one complete unit.

X: Varied Dimensions



BACK VIEW

SIDE VIEW

CODE	LENGTH	WIDTH	HEIGHT	BOWL POSITION
SR-POT-900	900	650	1050	Centre
SR-POT-1200	1200	650	1050	Centre, Left or Right
SR-POT-1500	1500	650	1050	Centre, Left or Right
SR-POT-1850	1850	650	1050	Centre, Left or Right

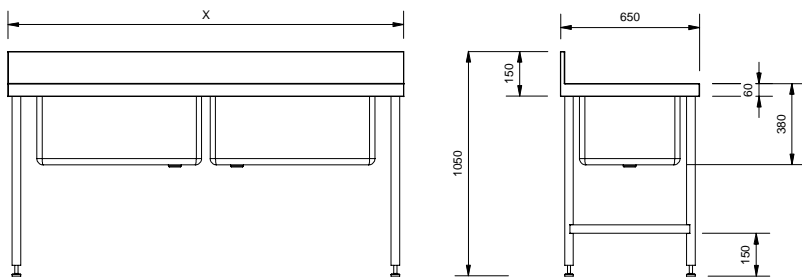
Pot Wash Sink



Specification: SR-POT P2 Double Bowl Pot Sink

Sunridge Model: SR-POT "P2" ,
 Bowl Size: 760 x 460 x 380mm deep,
 Stainless Steel Thickness: 1.2mm,
 Splashback: 150mm to back only,
 Turndown: 60 x 12mm on all remaining sides,
 Framework: 30 x 30 x 3mm with galvanised backing sheet,
 Included: Spillroof hospital bead around all edges,
 The Pot Wash Sink will be supplied with a set of 41mm Ø detachable legs
 and adjustable foot pieces,
 Invoiced separately but will be quoted as one complete unit.

X: Varied Dimensions



BACK VIEW

SIDE VIEW

CODE	LENGTH	WIDTH	HEIGHT	BOWL POSITION
SR-POT-1650	1650	650	1050	Centre
SR-POT-1850	1850	650	1050	Centre
SR-POT-2400	2400	650	1050	Centre, Left or Right
SR-POT-2500	2500	650	1050	Centre, Left or Right
SR-POT-2500	2500	650	1050	Triple Bowl - Centre
SR-POT-3225	3225	650	1050	Triple Bowl - Centre, left or Right

*Triple Bowl: SR-POT "P3"



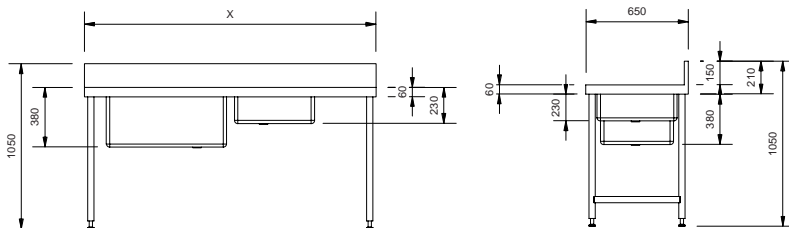
Combination SR-S1 Catering Sink & SR-P1 Pot Sink



Specification: SR-COM Combination Catering & Pot Sink

Sunridge Model: SR-COM,
 Bowl Size (P1 Pot Sink): 760 x 460 x 380mm deep,
 Bowl Size (S1 Catering Sink): 505 x 505 x 230mm deep,
 Stainless Steel Thickness: 1.2mm,
 Splashback: 150mm to back only,
 Turndown: 60 x 12mm on all remaining sides,
 Framework: 30 x 30 x 3mm with galvanised backing sheet,
 Included: Spillroof hospital bead around all edges,
 The Combination Catering- & Pot Sink will be supplied with a set of 41mm
 Ø detachable legs and adjustable foot pieces and adjustable foot pieces,
 Invoiced separately but will be quoted as one complete unit.

X: Varied Dimensions



BACK VIEW

SIDE VIEW

CODE	LENGTH	WIDTH	HEIGHT	BOWL POSITION
SR-COM-1850	1850	650	1050	Centre, Left or Right
SR-COM-2400	2400	650	1050	Centre, Left or Right





Grease Trap

Specification: SR-GTR Grease Trap

Sunridge Model: SR-GTR,

Stainless Steel Thickness: 1.2mm,

Application: Domestic and Commercial,

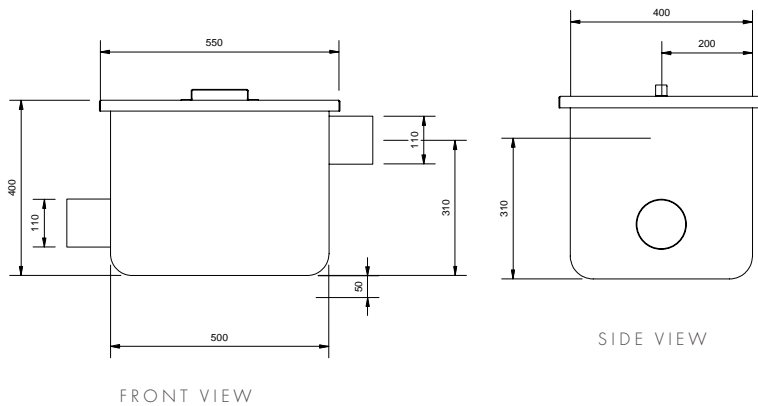
Available Inlet & Outlet: 110 or 50mm Ø,

Additional Info: Can be produced in Grade 430 (17/10) stainless steel,

Top quality lid with ergonomic handles incorporated, which has a

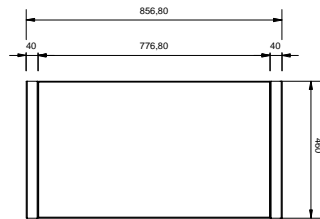
seal to limit odours,

Lockdown latches included.

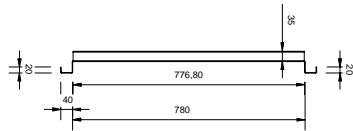


CODE	LENGTH	WIDTH	HEIGHT
SR-GTR-300	300	300	300
SR-GTR-400	400	300	400
SR-GTR-460	460	300	360
SR-GTR-500	500	400	400
SR-GTR-700	700	400	400
SR-GTR-500-304	500	400	400
SR-GTR-700-304	700	400	400

Undershelves for Catering



TOP VIEW



SIDE VIEW

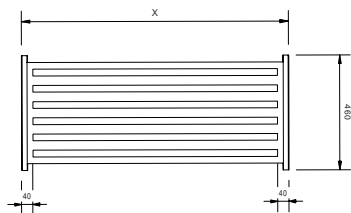
Specification: SR-SOL Solid Shelves

Sunridge Model: SR-SOL,
Stainless Steel Thickness: 1.2mm

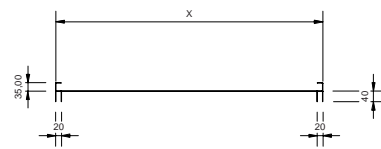
CODE	LENGTH
SR-1000-SOL	1000
SR-1200-SOL	1200
SR-1500-SOL	1500
SR-1650-SOL	1650
SR-1850-SOL	1850
SR-2000-SOL	2000
SR-2400-SOL	2400
SR-2600-SOL	2600



X: Varied Dimensions



TOP VIEW



SIDE VIEW

Specification: SR-SLAT Slatted Shelves

Sunridge Model: SR-SLAT,
Stainless Steel Thickness: 1.2mm

CODE	LENGTH
SR-900-SLAT	900
SR-1000-SLAT	1000
SR-1200-SLAT	1200
SR-1500-SLAT	1500
SR-1650-SLAT	1650
SR-1850-SLAT	1850
SR-2130-SLAT	2130
SR-2400-SLAT	2400

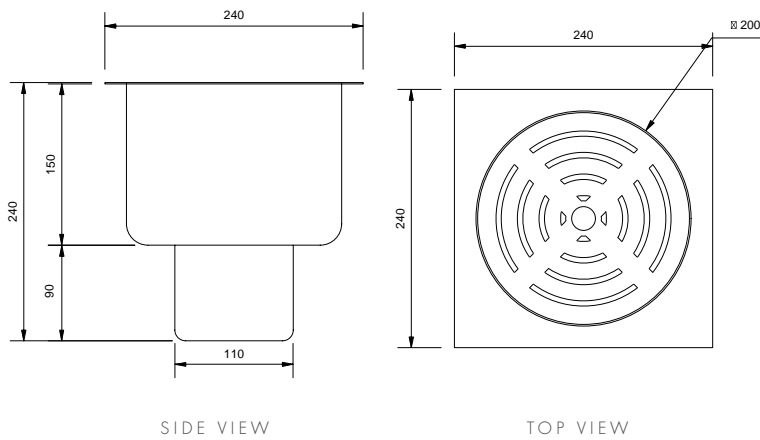
Floor Drain



Specification: SR-FD Floor Drain

Sunridge Model: SR-FD,
 Stainless Steel Thickness: 1.2mm,
 Size (Top Grid): 240 x 240mm,
 Floor Type: Epoxy and tiling,
 Outlet Type: Horizontal and vertical,
 Outlet: 110mm Ø.

CODE	OUTLET
SR-FD-50	50mm
SR-FD-110	110mm





The following products are produced from Grade 304 (18/10) stainless steel.

All products are supported by a 30 x 30 x 3mm frame with a galvanised backing sheet.

All sizes to be specified on order.

All bolts to be supplied by the installer.

All dimensions are in millimetres (mm).

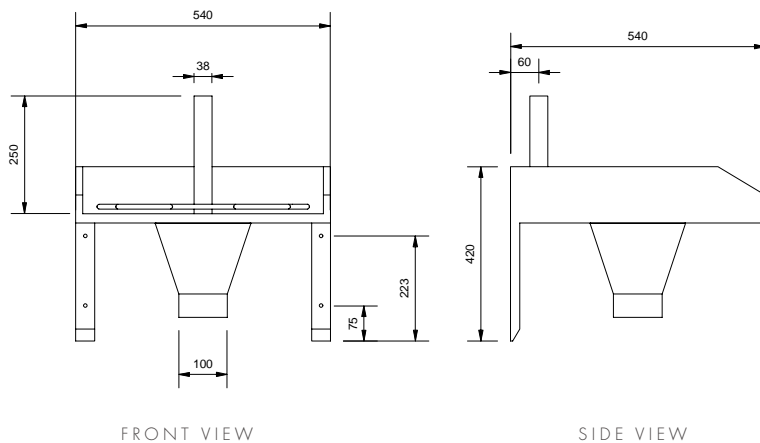
HOSPITAL Equipment

Slop Hopper



Specification: SR-HS Slop Hopper

Sunridge Model: SR-SLOP-HS,
Size: 540 x 540mm,
Stainless Steel Thickness: 1.2mm,
Splashback: 100mm at back and both sides,
Flushing Rim: 350mm \varnothing round,
38mm \varnothing inlet x 250mm long vertical flush pipe,
Hinged Bucket Grid: 10mm \varnothing stainless steel bar fitted over funnel,
Brackets: 40 x 20mm square stainless steel wall fixing brackets with 8mm \varnothing holes for installation (bolts to be supplied by installer),
Outlet: Suitable for a 100mm PVC or cast iron "P" trap.



Drip Sink DSG Model



Specification: SR-DRIP Drip Sink with Hinged Grid

Sunridge Model: SR-DRIP-SB,

Size: 530 x 490 x 180mm,

Square Bowl Size: 350 x 350 x 180mm deep,

Stainless Steel Thickness: 1.2mm,

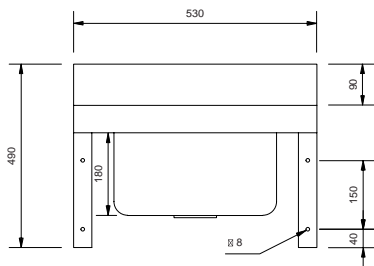
Splashback: 90mm to back,

Hinged bucket grid: 10mm Ø stainless steel bar to cover whole top,

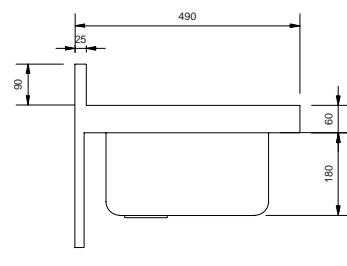
Brackets: 40 x 40mm square stainless steel brackets (supplied),

Outlet is suitable for: 90mm waste outlet connected to a "P" trap,

Installation: Fitted 600mm above finished floor.



BACK VIEW



SIDE VIEW

Drip Sink LDS with Grid



Specification: **SR-LDS-GRID with Stainless Steel Brackets & Grid**

Sunridge Model: SR-LDS-GRID,

Size: 600 x 500 x 220mm,

Stainless Steel Thickness: 1.2mm,

Splashback: 25mm,

Waste Outlet: 40mm,

Hinged Bucket Grid: 10mm Ø stainless steel bar to cover whole top,

Bracket Options: Unit is fixed with dura brackets (pair)

Other Bracket Options - to be specified on order:

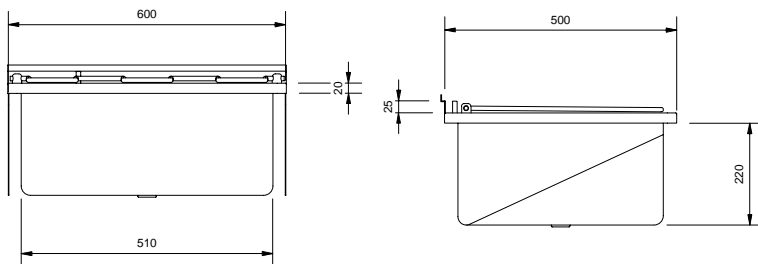
25 x 25mm gallow brackets or 25 x 25mm gallow brackets & front legs,

Bracket Fixation: Unit to be mounted to the wall with 4 anchor bolts (Bolts to be supplied by installer),

Installation: If supplied with dura brackets the unit will be 600mm above finished floor,

If supplied with gallow brackets and front legs, the unit will be 915mm above finished floor,

Extra Information: Bowl capacity suited for 43 litres.



FRONT VIEW

SIDE VIEW





Plaster of Paris Sink Wall Mounted or Legs



Specification: SR-POP Plaster of Paris Sink

Sunridge Model: SR-POP,

Preparation Bowl Size: 550 x 375 x 320mm deep,

Waste Cylinder Size: 250 x 625mm deep,

Stainless Steel Thickness: 1.2mm,

Waste outlet: 40mm,

Brackets: 40 x 40mm square gallow brackets and

40mm square stainless steel legs with adjustable foot pieces,

or

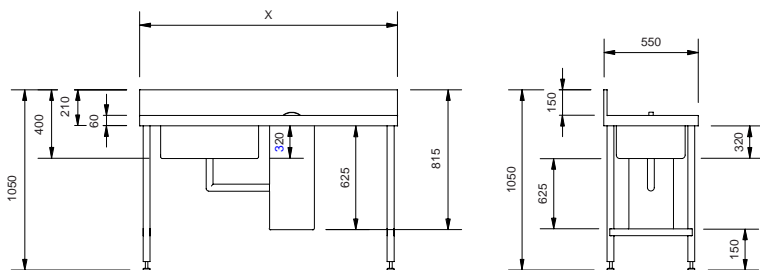
The Plaster of Paris Sink will be supplied with a set of 41mm Ø detachable legs and adjustable foot pieces,

Invoiced separately but will be quoted as one complete unit.

Additional Information: Draining board fitted with a galvanised backing sheet and frame,

Waste cylinder fitted with a lid and removable strainer.

X: Varied Dimensions



FRONT VIEW

SIDE VIEW

CODE	LENGTH	WIDTH	BOWL POSITION
SR-1500-POP	1500	550	Left or Right
SR-1850-POP	1850	550	Left or Right
SR-2400-POP	2400	550	Left or Right

Baby Bath Model Drop In

Specification: SR-BABB-DI Drop in Baby Bath

Sunridge Model SR-BABB-DI,

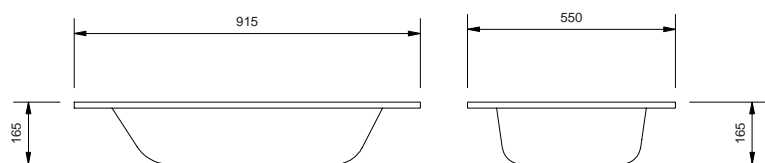
Size: 915 x 550mm

Semi Circular Bowl Size: 690 x 365 x 165 mm deep,

Stainless Steel Thickness: 1.2mm,

Waste Outlet: 40mm,

Cut out size: 875 x 515mm,



FRONT VIEW

SIDE VIEW

Baby Bath Model Wall Mounted or Legs

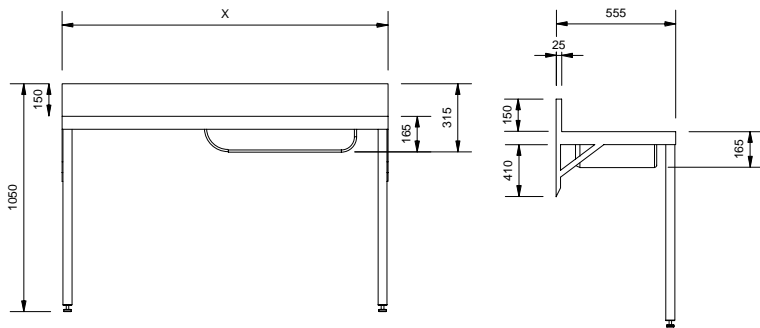


Specification: SR-GBF Baby Bath Wall Mounted or Supplied with Legs

Sunridge Model: SR-GBF,
 Semi Circular Bowl Size: 690 x 365 x 165 mm deep,
 Stainless Steel Thickness: 1.2mm,
 Splashback: 150mm at back only,
 Waste Outlet: 40mm,
 Brackets: 40 x 40mm gallow brackets and front legs,
 or

The Baby Bath Model will be supplied with a set of 41mm Ø detachable legs and adjustable foot pieces, Invoiced separately but will be quoted as one complete unit.

X: Varied Dimensions



FRONT VIEW

SIDE VIEW

CODE	LENGTH	WIDTH	BOWL POSITION
SR-1000-GBF	1000	555	Left or Right
SR-1320-GBF	1320	555	Left or Right
SR-1500-GBF	1500	555	Left or Right



Surgeon Scrub Up Floor Mounted



Specification: SR-SFM Floor-Mounted Surgeon Scrub Up

Sunridge Model SR-SFM,

Stainless Steel Thickness: 1.6mm,

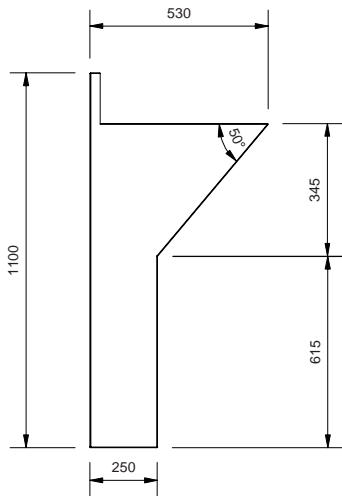
Splashback: 150mm at back only,

Waste Outlet: 40mm,

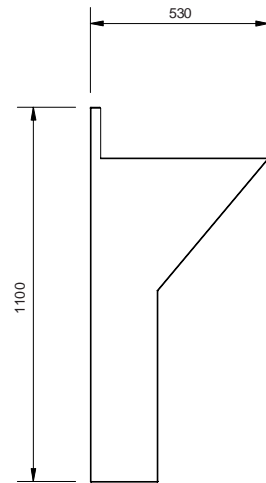
Additional information: Double wall construction, with removable inspection panels opposite each 40mm outlet,

Unit will be supplied with one outlet only,

Optional Extras: 2 - 3 outlets can be supplied (to be specified).



FRONT VIEW



SIDE VIEW

CODE	LENGTH	WIDTH	HEIGHT	NO. OF OUTLETS
SR-800-SFM	800	530	1100	1
SR-1200-SFM	1200	530	1100	1
SR-1500-SFM	1500	530	1100	1
SR-1800-SFM	1800	530	1100	2
SR-2100-SFM	2100	530	1100	2

Surgeon Scrub Up Wall Mounted



Specification: SR-SWM Wall-Mounted Surgeon Scrub Up

Sunridge Model SR-SWM,

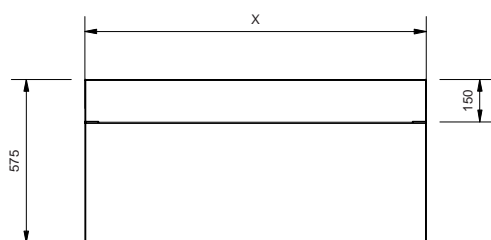
Stainless Steel Thickness: 1.6mm,

Splashback: 150mm at back only,

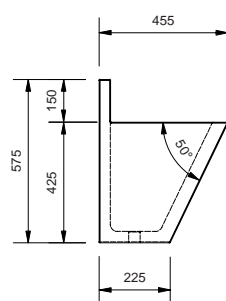
Waste Outlet: 40mm,

Extra information: Double wall construction, with removable inspection panels opposite each 40mm outlet, Unit will be supplied with one outlet.

X: Varied Dimensions



FRONT VIEW



SIDE VIEW

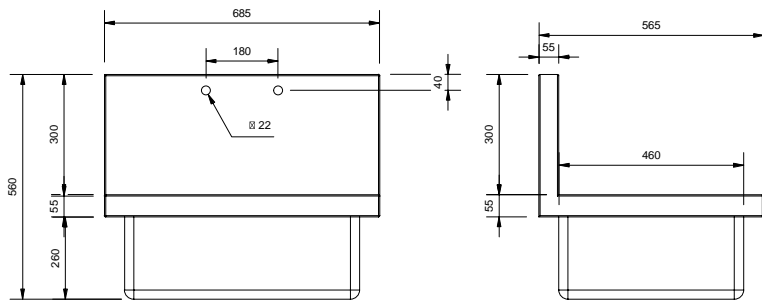
CODE	LENGTH	WIDTH	HEIGHT	DEPTH
SR-1200-SWM	1200	455	575	425
SR-1500-SWM	1500	455	575	425
SR-1800-SWM	1800	455	575	425
SR-2100-SWM	2100	455	575	425
SR-2400-SWM	2400	455	575	425

Mini Surgeon Scrub Up Wall Mounted



Specification: SR-MIN-SWM Mini Surgeon Scrub Up Unit Wall Mounted

Sunridge Model: SR-MIN-SWM,
 Size: 685 x 560 x 260mm deep,
 Stainless Steel Thickness: 1.6mm,
 Splashback: 300mm at back only,
 Waste Outlet: 40mm.



FRONT VIEW

SIDE VIEW

CODE	LENGTH	WIDTH	HEIGHT
SR-MIN-SWM	685	560	560

Post-Mortem Table



Specification: SR-POST-1980 Post Mortem Table Only

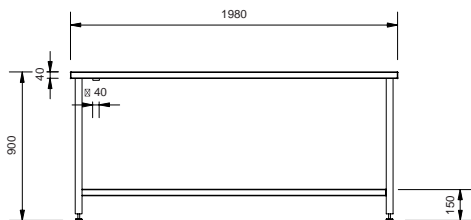
Sunridge Model: SR-POST-1980,

Stainless Steel Thickness: 1.2mm,

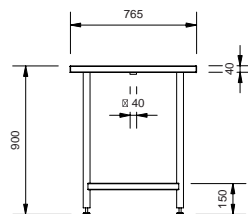
Waste Outlet: 40mm,

Recess: 25mm (around edges) with a galvanised backing sheet,
The Post-Mortem Table will be supplied with a set of 41mm Ø detachable
legs and adjustable foot pieces,

Unit will be supplied and priced as one complete unit.



FRONT VIEW



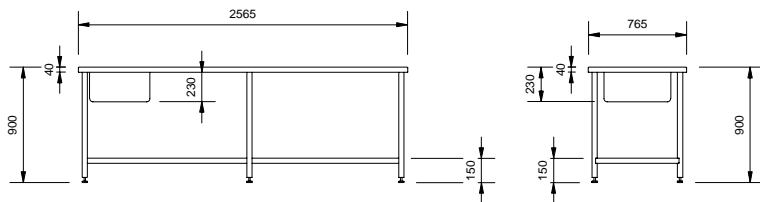
SIDE VIEW

CODE	LENGTH	WIDTH	HEIGHT
SR-POST-1980	1980	765	900

Post-Mortem Table

Specification: SR-POST-2565 Post Mortem Table Only

Sunridge Model: SR-POST-2565,
 Rinse Bowl Size: 500 x 500 x 230mm deep,
 Stainless Steel Thickness: 1.2mm,
 Waste Outlet: 40mm,
 Recess: 25mm (around edges) with a backing sheet,
 The Post-Mortem Table will be supplied with 3 pairs of 41mm Ø round legs and cross braces with adjustable foot pieces,
 Unit will be supplied and priced as one complete unit.



FRONT VIEW

SIDE VIEW

CODE	LENGTH	WIDTH	HEIGHT
SR-POST-2565	2565	765	900

Single Bowl Bedpan & Wash Up Sink



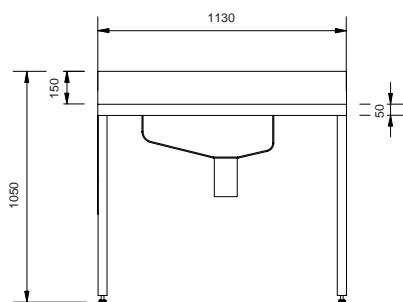
Specification: SR-1130-EL Bedpan & Wash Up Sink

Sunridge Model: SR-1130-EL,
 Stainless Steel Thickness: 1.2mm,
 Splashback: 150mm to back only,
 Waste Outlet: 100mm,
 Brackets: 40mm square gallow brackets at rear,
 41mm Ø legs with adjustable foot pieces,
 Additional information: Fitted with one sluice bowl with a flushing rim.

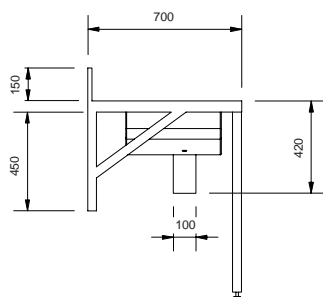
Fittings Supplied:

1 x FM1-000/N - Cobra Flush Master Valve,
 2 x S500/1 - Cobra Medical Lever (Pair),
 1 x S-21-CLOCK/N - Cobra HP Spindle Handle 1/4 Turn Clockwise,
 1 x S-21-2ANTI/N - Cobra HP Spindle Only 1/4 Turn Anti-Clockwise,
 2 x FFL02300-OFT00 - Chrome Fastener Flange for Top,
 1 x SR-BRASS-ADPT-C - Brass Adaptor with brass nuts and washer (cold),
 1 x SR-BRASS-ADPT-H - Brass Adaptor with brass nuts and washer (hot),

Recessed draining board to help spillage.



FRONT VIEW



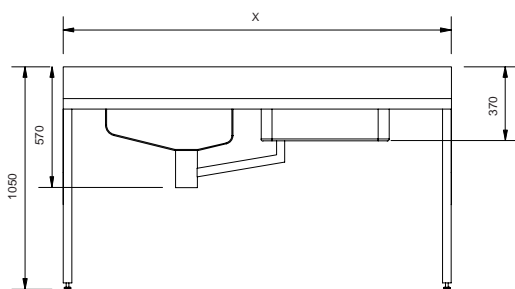
SIDE VIEW

CODE	LENGTH	WIDTH	HEIGHT	BOWL POSITION
SR-1130	1130	700	1050	Left or Right

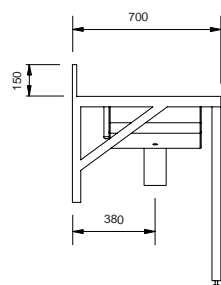
Combination Bedpan & Wash Up Sinks



X: Varied Dimensions



FRONT VIEW



SIDE VIEW

Specification: SR-1830-EC Double Bowl Bedpan & Wash Up Sink

Sunridge Model: SR-1830-EC,

Sluice Bowl Size: 580 x 435mm

Rince Bowl Size: 600 x 455mm

Stainless Steel Thickness: 1.2mm,

Splashback: 150mm at back only,

Brackets: 40mm square gallow brackets at rear,

41mm Ø legs with adjustable foot pieces,

Additional information: Fitted with two sluice bowl with a flushing rim.

Fittings Supplied:

1 x FM1-000/N - Cobra Flush Master Valve,

1 x 171/041/N - Cobra Star Screw Down Stop Tap,

1 x 297CA/N - Cobra Carina Basin Mixer with retractable hand spray,

2 x S500/1 - Cobra Medical Lever (Pair),

1 x S-21-CLOCK/N - Cobra HP Spindle Handle 1/4 Turn Clockwise,

1 x S-21-2ANTI/N - Cobra HP Spindle Only 1/4 Turn Anti-Clockwise,

2 x FFL02300-OFT00 - Chrome Fastener Flange for Top,

1 x SR-BRASS-ADPT-C - Brass Adaptor with brass nuts and washer (Cold).

1 x SR-BRASS-ADPT-H - Brass Adaptor with brass nuts and washer (Hot).

CODE	LENGTH	WIDTH	HEIGHT	BOWL POSITION
SR-1830-EC6	1830	700	1050	Left or Right
SR-2134-EC7	2134	700	1050	Left or Right
SR-2440-EC8	2440	700	1050	Left or Right

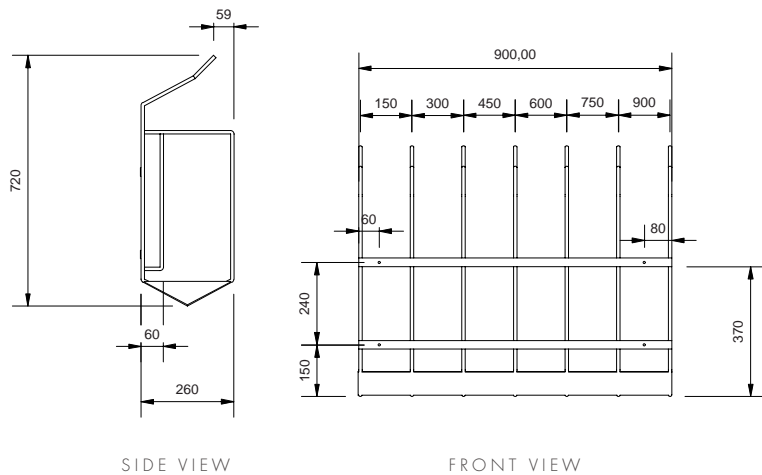
Bedpan Bottle Racks

Specification: SR-BRACK-2/4/6 Bedpan Bottle Racks

Sunridge Model: SR-BRACK-2/4/6,

Stainless Steel Thickness: 1.2mm,

Additional Information: Rubber grommets at the end of the hooks not to scratch bottles and bedpans,
Supplied with a removable stainless steel drip tray,



CODE	LENGTH	WIDTH	HEIGHT	No. of Pans	No. of Bottles
SR-BRACK-2	305	260	720	2	3
SR-BRACK-4	610	260	720	4	5
SR-BRACK-6	915	260	720	6	7



Model Body Trays



Specification: **SR-STD-BODY Standard Solid Body Tray**

Sunridge Model SR-STD-BODY

Stainless Steel Thickness: 1.2mm,

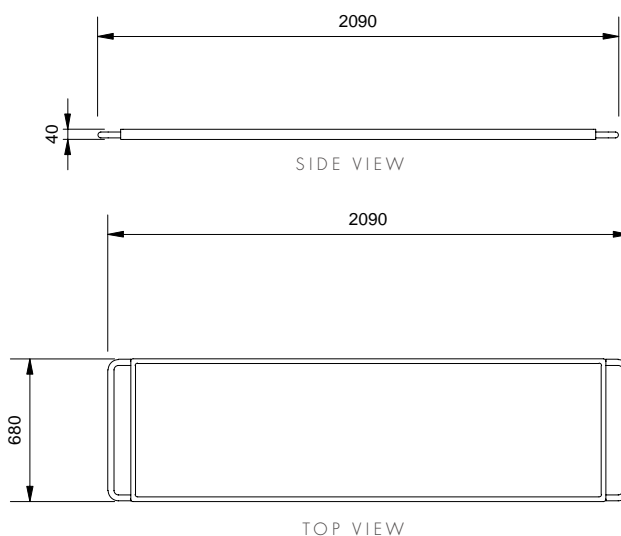
Frame: 19mm Ø round stainless steel frame and handles,

Recess: 50mm in body tray,

Extra Information: Supplied with a movable stainless steel trolley frame for the body tray to be fitted on with 4 movable castor wheels,

Optional: Only the body tray to be supplied.

CODE	LENGTH	WIDTH
SR-STD-BODY	2090	580



Specification: **SR-OBESE-BODY Obese Solid Body Tray**

Sunridge Model SR-OBESE-BODY

Stainless Steel Thickness: 1.2mm,

Frame: 19mm Ø round stainless steel frame and handles,

Recess: 50mm in body tray,

Extra Information: Supplied with a movable stainless steel trolley frame for the body tray to be fitted on with 4 movable castor wheels,

Optional: Only the body tray to be supplied.

CODE	LENGTH	WIDTH
SR-OBESE-BODY	2170	634

Instrument Cabinet with Glass Doors



Specification: SR-INST-CAB Wall Mounted Instrument Cabinet with 2 Stainless Steel Shelves

Sunridge Model: SR-INST-CAB,

Stainless Steel Thickness: 1.6mm,

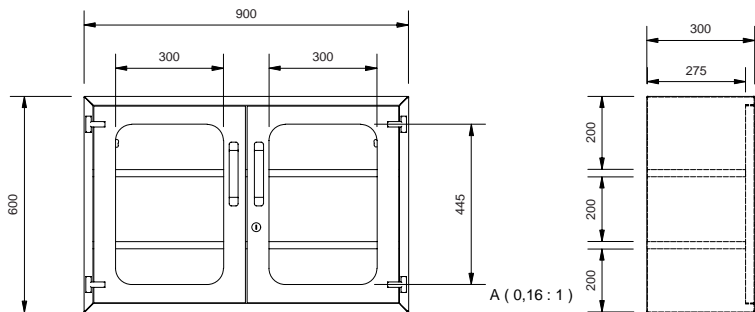
Installation: Two keyhole slots for mounting the unit to the wall,

Additional Information: Supplied with two hinged doors with shatterproof glass panels,

Lockable doors - keys supplied,

Two stainless steel shelves,

Optional: Unit can be supplied in Grade 316 Stainless Steel.



FRONT VIEW

SIDE VIEW

CODE	LENGTH	WIDTH	HEIGHT	GRADE OF STEEL
SR-INST-CAB	900	300	600	304
SR-INST-CAB-316	900	300	600	316

Writing Desk

Specification: SR-WDESK Wall Mounted Writing Desk

Sunridge Model: SR-WDESK,

Draw Size: 350 x 120mm,

Stainless Steel Thickness: 1.6mm,

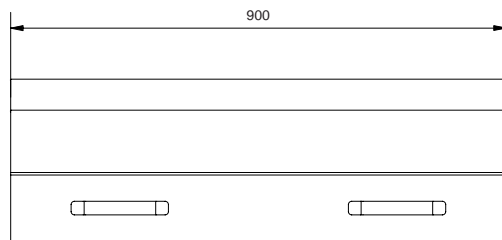
Additional Information: Single front drawer

mounted on telescopic slides,

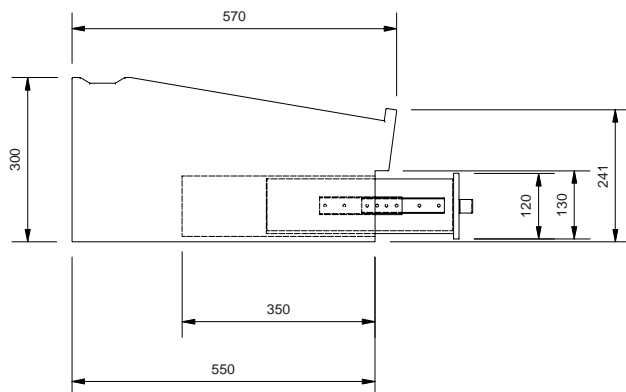
Supawood backing,

Removable base for easy mounting with two handles,

Optional: Unit can be supplied in Grade 316 Stainless Steel.



FRONT VIEW



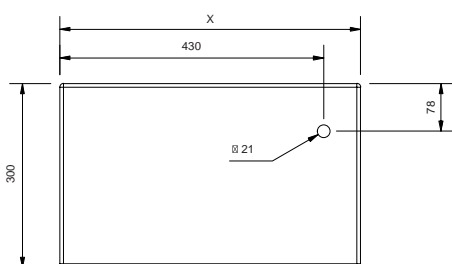
SIDE VIEW

CODE	LENGTH	WIDTH	HEIGHT	Grade of Steel
SR-WDESK	900	570	300	304
SR-WDESK-LAB	900	570	300	316

Commercial Accessories

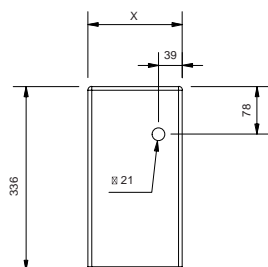


X: Varied Dimensions



LOW LEVEL CISTERN

FRONT VIEW



HIGH LEVEL CISTERN

SIDE VIEW

Specification: SR-CIS-SHL High Level Cistern

Sunridge Model: SR-CIS-SHL,
 Stainless Steel Thickness: 1.2mm,
 Additional Information: Supplied with PVC flushing mechanism and pull chain connection,
 Unit supplied with Chrome Plated brass compression adaptor,
 Note: Short flush pipe available - Minimum Order Quantity will apply.

Specification: SR-CIS-LOW Low Level Cistern

Sunridge Model: SR-CIS-LOW
 Stainless-Steel Thickness: 1.2mm,
 Additional Information: Supplied with PVC flushing mechanism and a hole for handle connection,
 Unit supplied with Chrome Plated brass compression adaptor,
 Note: Short flush pipe available - Minimum Order Quantity will apply.

CODE	LENGTH	WIDTH	HEIGHT
SR-CIS-SHL	490	154	336
SR-CIS-LOW	470	160	300

Accessories

CODE	LENGTH	
SR-SL-FPIPE	250	Flush Pipe Long
SR-SS-FPIPE	200	Flush Pipe Short
SR-ADAPTOR		Chrome Plates Adaptor



The following products are produced from Grade 304 (18/10) stainless steel.

All products are supported by a 30 x 30 x 3mm frame with a galvanised backing sheet.

All sizes to be specified on order.

All bolts to be supplied by the installer.

All dimensions are in millimetres (mm).

SANITARY Equipment

Floor Mounted WC Pan



Specification: SR-FM-WCP Floor Mounted WC Pan

Sunridge Model: SR-FM-WCP,

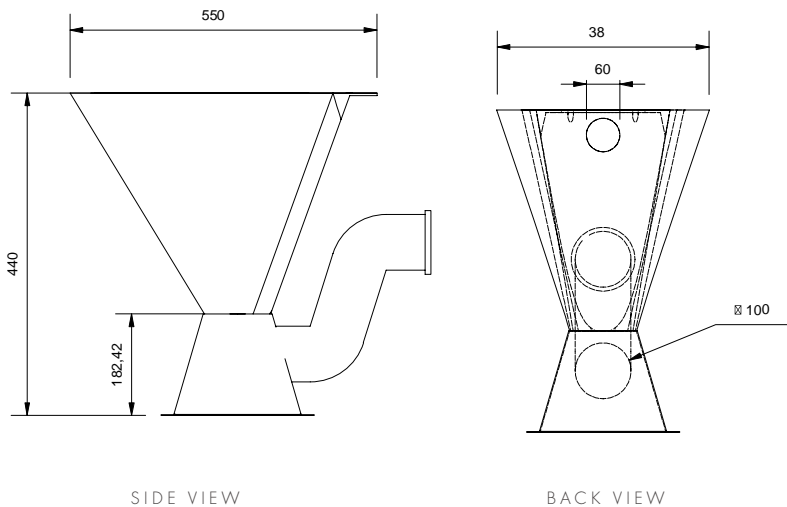
Size: 550 x 380 x 440mm ,

Stainless Steel Thickness: 1.2mm,

Flushing Rim: Concealed,

Installation: To be fixed to the floor with 12mm anchor bolts (supplied by the installer),

Additional Information: 100mm Ø P trap and back entry inlet pipe. Inlet is to suite a standard flush pipe connection.



Wall Mounted WC Pan



Specification: SR-WM-WCP Wall Mounted WC Pan

Sunridge Model: SR-WM-WCP,

Size: 576 x 380 x 430mm ,

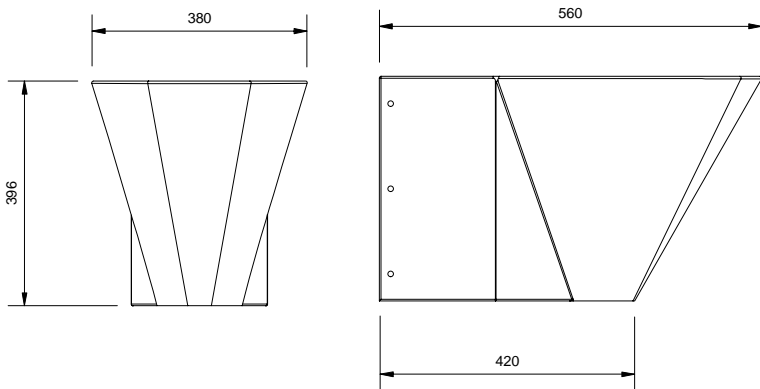
Stainless Steel Thickness: 1.2mm,

Installation: To be mounted to the wall with 12mm
anchor bolts (supplied by the installer),

Additional Information: P-trap and wall mounting brackets supplied,

Mounting panel plate thickness: 3mm,

All plumbing to be concealed in the wall.



FRONT VIEW

SIDE VIEW

Wall Mounted Bowl Urinal



Specification: **SR-TE-BOWL Wall Hung Urinal Top Entry**

Sunridge Model: SR-TE-BOWL,

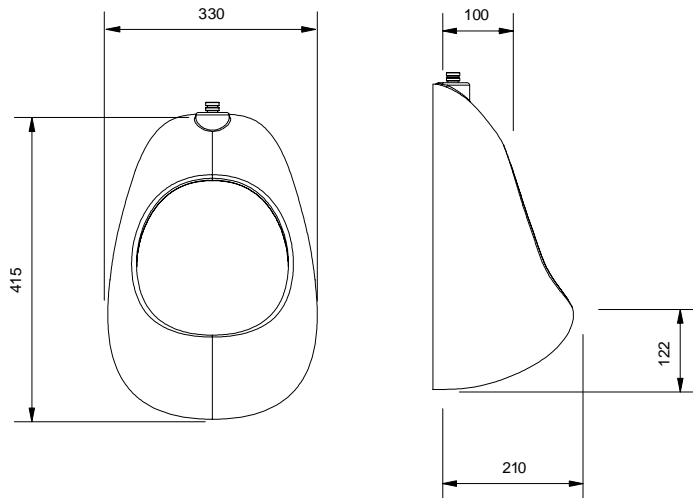
Size: 415 x 330mm

Stainless Steel Thickness: 1.2mm,

Waste Outlet: 40mm,

Additional Information: Bowl urinal supplied with a top spreader

Optional: Bowl urinal can be manufactured as a
back entry (to be specified).



FRONT VIEW

SIDE VIEW



Curve Back Urinal Series CB101



Specification: SR-CB101 Standard Curve Back Urinal

Sunridge Model: SR-CB101,

Stainless Steel Thickness: 1.2mm,

Outlet: Centre Only (left or right hand to be specified),

Additional Information: Fitted with a 12mm adjustable tipping tank,

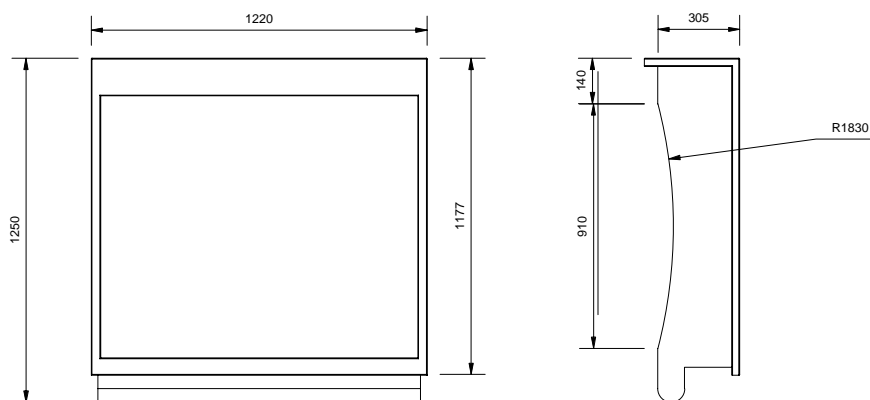
28mm Adjustable chrome adaptor will be supplied.

Urinal to be fitted with one outlet only,

Manual flushing system.

CODE	LENGTH	HEIGHT	OPTIONAL OUTLETS
SR-610-CB101	610	1220	Centre, Left or Right
SR-850-CB101	850	1220	Centre, Left or Right
SR-915-CB101	915	1220	Centre, Left or Right
SR-1220-CB101	1220	1220	Centre, Left or Right
SR-1370-CB101	1370	1220	Centre, Left or Right
SR-1525-CB101	1525	1220	Centre, Left or Right
SR-1675-CB101	1675	1220	Centre, Left or Right
SR-1770-CB101	1770	1220	Centre, Left or Right
SR-1830-CB101	1830	1220	Centre, Left or Right
SR-1980-CB101	1980	1220	Centre, Left or Right
SR-2135-CB101	2135	1220	Centre, Left or Right
SR-2300-CB101	2300	1220	Centre, Left or Right
SR-2440-CB101	2440	1220	Centre, Left or Right
SR-2500-CB101	2500	1220	Centre, Left or Right
SR-3000-CB101	3000	1220	Centre, Left or Right
SR-3900-CB101	3900	1220	Centre, Left or Right

X: Varied Dimensions



Curve Back Urinal Series CB102

Specification: SR-CB-102 Combination Curve Back Urinal

Sunridge Model: SR-CB102,

Stainless Steel Thickness: 1.2mm,

Outlet: Centre Only (left or right hand to be specified)

Additional Information: Fitted with a 12mm adjustable dripcock.

Urinal to be fitted with one outlet only,

Supplied with a built-in automatic flushing-tipping-tank.

For reference:

See image and drawing on page 50.

CODE	LENGTH	HEIGHT	OPTIONAL OUTLETS
SR-610-CB102	610	1220	Centre, Left or Right
SR-850-CB102	850	1220	Centre, Left or Right
SR-915-CB102	915	1220	Centre, Left or Right
SR-1200-CB102	1200	1220	Centre, Left or Right
SR-1220-CB102	1220	1220	Centre, Left or Right
SR-1300-CB102	1300	1220	Centre, Left or Right
SR-1370-CB102	1370	1220	Centre, Left or Right
SR-1450-CB102	1450	1220	Centre, Left or Right
SR-1525-CB102	1525	1220	Centre, Left or Right
SR-1675-CB102	1675	1220	Centre, Left or Right
SR-1770-CB102	1770	1220	Centre, Left or Right
SR-1830-CB102	1830	1220	Centre, Left or Right
SR-1980-CB102	1980	1220	Centre, Left or Right
SR-2000-CB102	2000	1220	Centre, Left or Right
SR-2135-CB102	2135	1220	Centre, Left or Right
SR-2285-CB102	2285	1220	Centre, Left or Right

CODE	LENGTH	HEIGHT	OPTIONAL OUTLETS
SR-2300-CB102	2300	1220	Centre, Left or Right
SR-2440-CB102	2440	1220	Centre, Left or Right
SR-2700-CB102	2700	1220	Centre, Left or Right
SR-3000-CB102	3000	1220	Centre, Left or Right
SR-3400-CB102	3400	1220	Centre, Left or Right
SR-4200-CB102	4200	1220	Centre, Left or Right
SR-5000-CB102	5000	1220	Centre, Left or Right
SR-5790-CB102	5790	1220	Centre, Left or Right

Trough Urinal TU-101



Specification: SR-TU101 Standard Trough Urinal

Sunridge Model SR-TU101,
 Stainless Steel Thickness: 0.9mm,
 Outlet: 40mm (Left or Right hand only),

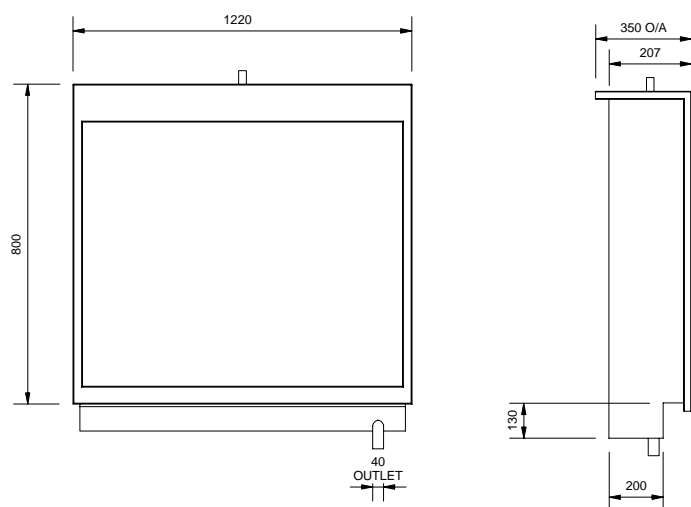
Additional Info: Supplied with a 28mm chrome plated compression coupler for connection to flush pipe or junior flush valve.

Sloped drip ledge,

Urinal designed to fit between two walls / to one free wall and against a wall with two free standing ends (to be specified),

Manual Flush.

X: Varied Dimensions



CODE	LENGTH	HEIGHT	OPTIONAL OUTLETS
SR-915-TU101	915	780	Left or Right
SR-1220-TU101	1220	780	Left or Right
SR-1370-TU101	1370	780	Left or Right
SR-1575-TU101	1575	780	Left or Right
SR-1830-TU101	1830	780	Left or Right
SR-1900-TU101	1900	780	Left or Right
SR-2200-TU101	2200	780	Left or Right
SR-2400-TU101	2400	780	Left or Right
SR-2600-TU101	2600	780	Left or Right
SR-3000-TU101	3000	780	Left or Right
SR-4300-TU101	4300	780	Left or Right

Trough Urinal TU-102

For reference:

See image and drawing on page 52.

Specification: SR-TU102 Combination Trough Urinal

Sunridge Model SR-TU102.

Stainless Steel Thickness: 0.9mm,

Outlet: 40mm (left or right hand)

Additional Info: Supplied with a 28mm chrome plated compression coupler for connection to flush pipe or junior flush valve.

Slopped drip ledge,

Urinal designed to fit between two walls / to one free wall and against a wall with two free standing ends (to be specified),

Supplied with a built-in automatic flushing-tipping-tank.

CODE	LENGTH	HEIGHT	OPTIONAL OUTLETS
SR-610-TU102	610	780	Left or Right
SR-915-TU102	915	780	Left or Right
SR-1000-TU102	1000	780	Left or Right
SR-1200-TU102	1200	780	Left or Right
SR-1220-TU102	1220	780	Left or Right
SR-1370-TU102	1370	780	Left or Right
SR-1525-TU102	1525	780	Left or Right
SR-1570-TU102	1570	780	Left or Right
SR-1640-TU102	1640	780	Left or Right
SR-1675-TU102	1675	780	Left or Right
SR-1750-TU102	1750	780	Left or Right
SR-1770-TU102	1770	780	Left or Right
SR-1830-TU102	1830	780	Left or Right
SR-1980-TU102	1980	780	Left or Right
SR-2100-TU102	2100	780	Left or Right
SR-2135-TU102	2135	780	Left or Right

CODE	LENGTH	HEIGHT	OPTIONAL OUTLETS
SR-2200-TU102	2200	780	Left or Right
SR-2300-TU102	2300	780	Left or Right
SR-2400-TU102	2400	780	Left or Right
SR-2440-TU102	2440	780	Left or Right
SR-2500-TU102	2500	780	Left or Right
SR-2600-TU102	2600	780	Left or Right
SR-2850-TU102	2850	780	Left or Right
SR-3000-TU102	3000	780	Left or Right
SR-3100-TU102	3100	780	Left or Right
SR-3600-TU102	3600	780	Left or Right



Pedestal Drinking Fountain - Freestanding



Specification: SR-PED-DRINK Freestanding Pedestal Drinking Fountain

Sunridge Model: SR-PED-DRINK,

Size: 915 x 400 x 400mm,

Foot Stand Size: 325 x 325mm

Top Tray Size: 400 x 400mm,

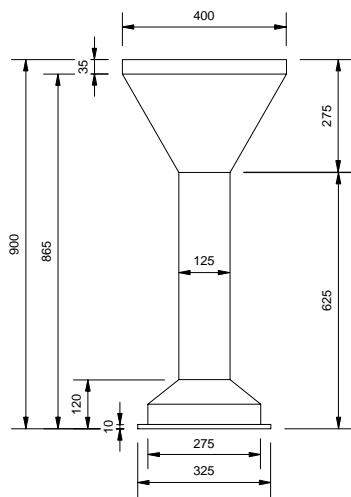
Stainless Steel Thickness: 1.2mm,

Outlet: 40mm

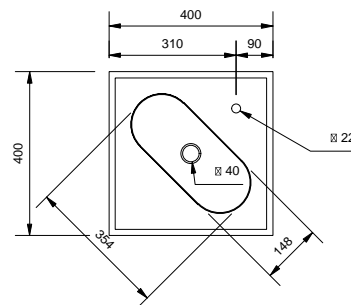
Installation: Bolted to the floor with 10mm masonry bolts (to be supplied the installer) ,

Additional Info: Supplied with a 15mm freestanding basin spout or Bubbler Tap,

Removable Top.



SIDE VIEW



TOP VIEW

Flat Bed Basin



Specification: SR-FBB Flat Bed Wash Hand Basin

Sunridge Model: SR-FBB,

Stainless Steel Thickness: 1.6mm,

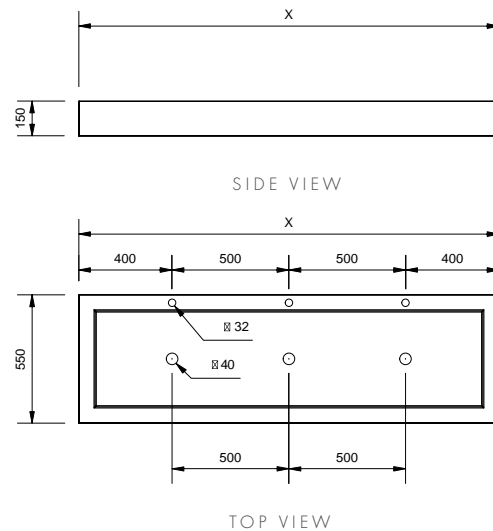
Waste Outlet: 40mm,

Apron: 150mm all around,

Shallow Trough: 50mm deep,

Installation: Mounted to the wall with 3mm stainless steel brackets for reinforcement (bolts to be supplied by the installer),

Additional Info: Unit includes outlets and tap holes



CODE	LENGTH	WIDTH	Height
SR-1200-FBB	1200	550	150
SR-1500-FBB	1500	550	150
SR-1800-FBB	1800	550	150
SR-2400-FBB	2400	550	150

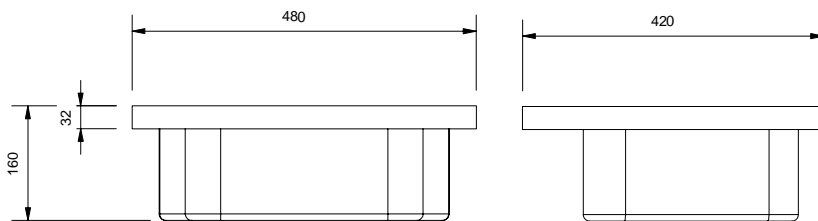
Single Wash Hand Basin



Specification: SR-WHB-001 Single Bowl Wash Hand Basin

Sunridge Model SR-WHB-001,
Size: 480 x 420 x 160mm deep,
Stainless Steel Thickness: 1.2mm,
Waste: 40mm,

Brackets: Stainless steel sink dura brackets or 25mm gallow brackets or 25mm brackets and front legs (to be specified),



FRONT VIEW

SIDE VIEW

Single Wash Hand Basin with Tiling Key



Specification: **SR-WHB-00-T Single Bowl Wash Hand Basin with Tiling Key**

Sunridge Model SR-WHB-001-T

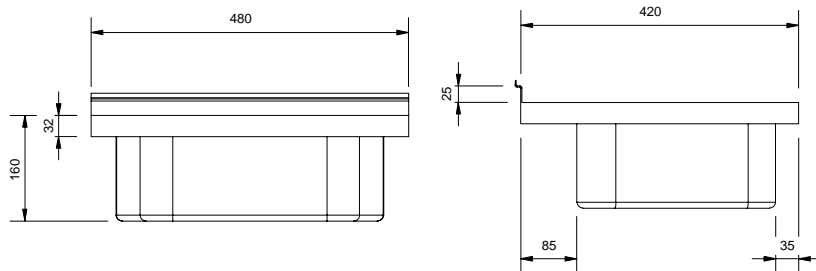
Size: 480 x 420 x 160mm deep,

Stainless Steel Thickness: 1.2mm,

Splashback: 25mm with tiling key,

Waste: 40mm,

Brackets: Stainless Steel dura brackets or 25mm gallow brackets or 25mm brackets and front legs.



FRONT VIEW

SIDE VIEW

Wash Hand Basin Ranges



Specification: SR-WHB-002/3/4/5

Sunridge Model SR-WHB-002/3/4/5,

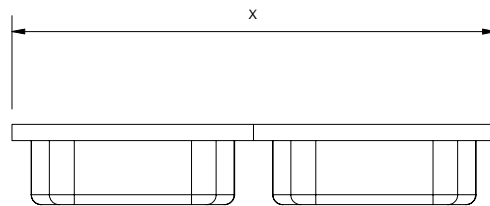
Stainless Steel Thickness: 1.2mm,

Optional Mounting: 25 x 25mm gallow brackets

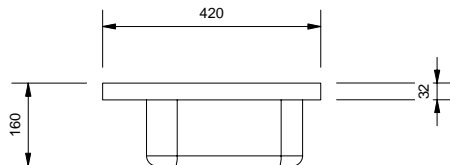
or

25 x 25mm gallow brackets and front legs

X: Varied Dimensions



FRONT VIEW



SIDE VIEW

CODE	LENGTH	WIDTH	DEPTH	Options
SR-WHB-002	965	420	160	2 Bowl
SR-WHB-003	1428	420	160	3 Bowl
SR-WHB-004	2120	420	160	4 Bowl
SR-WHB-005	2360	420	160	5 Bowl

Wash Hand Basin with Surround (Oval A)



Specification: SR-WHB-SURR Wash Hand Basin with Surround (Oval A)

Sunridge Model: SR-WHB-SURR

Size: 460 x 340 x 160mm deep,

Stainless Steel Thickness: 1.2mm,

Splashback: 50mm,

Apron: 100mm rounded, all around the basin to conceal the brackets,

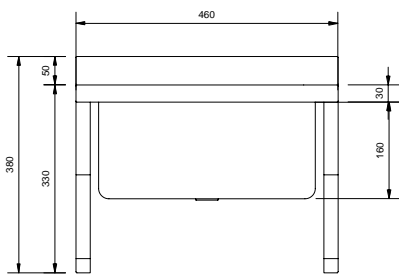
Waste Outlet: 40mm,

Installation: Mounted to the wall with 4 x 6mm anchor bolts

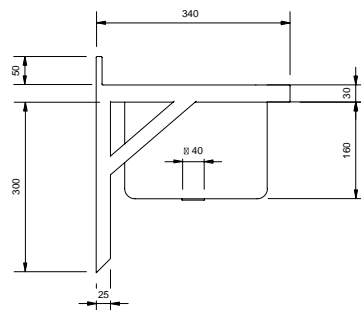
(bolts to be supplied by the installer),

Additional info: Space on each corner of the unit for a pillar tap,

Polished high gloss finish,



FRONT VIEW



SIDE VIEW

Wash Hand Basin with Gallow Brackets (Oval B)



Specification: **SR-WHB-BRACKOB Wash Hand Basin with Gallow Brackets**

Sunridge Model: SR-WHB-BRACKOB,

Size: 460 x 340 x 160mm deep,

Stainless Steel Thickness: 1.2mm,

Splashback: 50mm,

Apron: 30mm rounded,

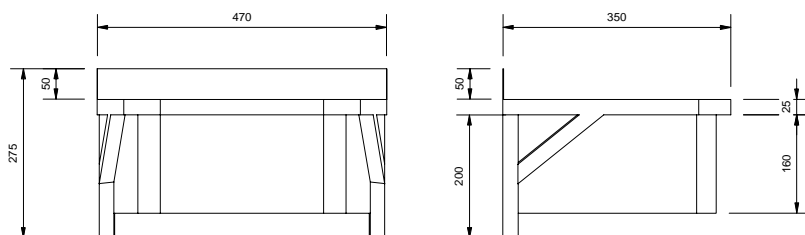
Waste Outlet: 40mm,

Brackets: 25 x 25mm gallow brackets included,

Installation: Mounted to the wall with 4 x 6mm anchor bolts (bolts to be supplied by the installer),

Additional info: Space on each corner of the unit for a pillar tap

Polished high gloss finish



FRONT VIEW

SIDE VIEW

Wall Hung Luxtub



Specification: SR-LDL-SINK Wall Hung Luxtub with Stainless Steel Brackets

Sunridge Model: SR-LDL-SINK,

Size: 600 x 510 x 220mm,

Splashback: 25mm

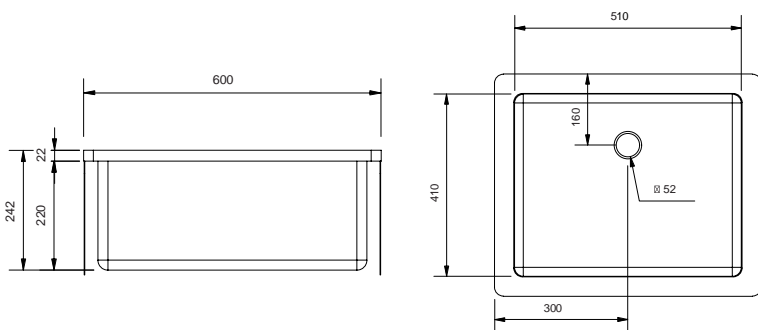
Stainless Steel Thickness: 1.2mm,

Brackets: Stainless steel dura brackets or 25mm gallow brackets,

Installation: 600mm above floor level,

Mounted with 4 anchor bolts (bolts to be supplied by installer),

Optional: Tap bracket for support.



FRONT VIEW

TOP VIEW





The following products are produced from Grade 304 (18/10) stainless steel.

All products are supported by a 30 x 30 x 3mm frame with a galvanised backing sheet.

All sizes to be specified on order.

All bolts to be supplied by the installer.

All dimensions are in millimetres (mm).

Installation is strictly for Government Prisons and Police Stations.

All products are vandal-proof and are suitable for plastered and brick walls.

PRISON Equipment

heavy duty

Built-In Drinking Fountain



Specification: **SR-COM-BIDF Built-In Combination Drinking Fountain Wash Hand Basin**

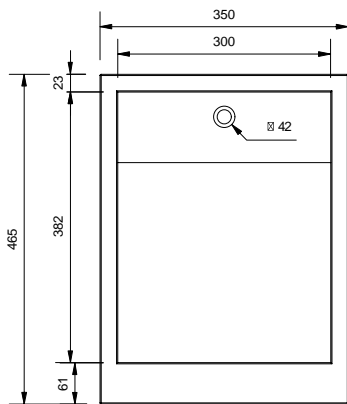
Sunridge Model: SR-COM-BIDF,

Size: 417 x 304 x 107mm,

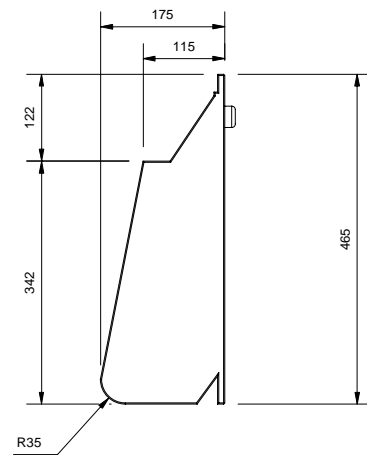
Stainless Steel Thickness: 1.2mm,

Waste Outlet: 42mm,

Installation: Recessed into a 125mm single brick cavity,
Additional Info: Fitted and supplied with a 32mm bib tap.



FRONT VIEW



SIDE VIEW

Prison Type Heavy Duty Wall & Floor Mounted WC Pan



Specification: SR-WFM-PWC - WC pan with extended inlet pipes

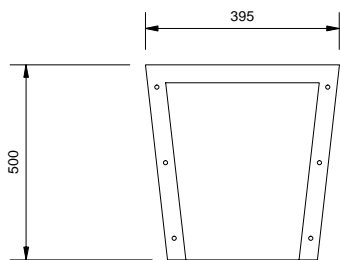
Sunridge Model: SR-WFM-PWC,

Size: 560 x 380 x 460mm,

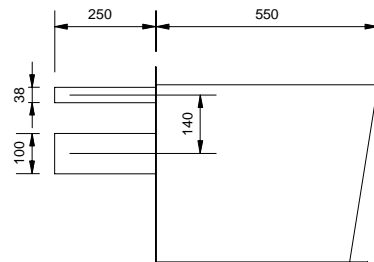
Stainless Steel Thickness: 1.6mm,

Additional Info: Unit is supplied with a pressed concealed flushing rim, "P" trap to be supplied with a 100mm outlet pipe and a 38mm back entry inlet pipe extending to 400mm,

Supplied with external flanges for securing the pan to the wall and floor.



FRONT VIEW



SIDE VIEW

Prison Type Wall & Floor Mounted WC Pan With Service Latch



Specification: SR-WFM-PWCS - WC pan with service latch

Sunridge Model: SR-WFM-PWCS,

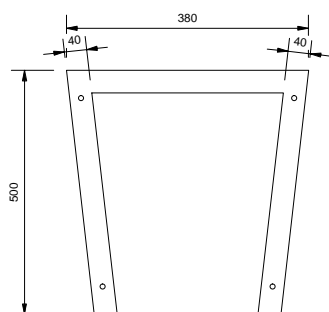
Size: 480 x 550 x 440mm,

Stainless Steel Thickness: 1.2mm,

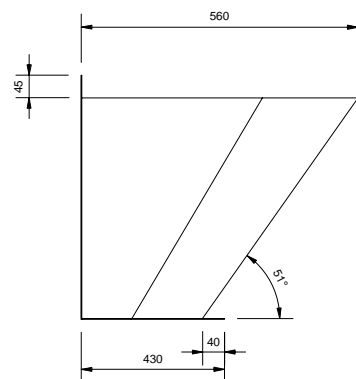
Additional Info: Unit is supplied with a pressed concealed flushing rim, "P" trap to be supplied with a 100mm outlet pipe and a 60mm back entry inlet pipe,

Supplied with an outer cover with external flanges to protect "P" trap, The internal flanges are designed for extra security to fix the pan through the wall with anchor bolts (bolts supplied by installer),

A duct installation is recommended.



BACK VIEW



SIDE VIEW

Combination Prison Pan & Wash Hand Basin



Specification: SR-COM-WCP-WHT - Combination Prison Pan and Wash Hand Basin with Toilet Roll Holder

Sunridge Model: SR-COM-WCP-WHT,

Size: 876 x 995 x 583mm,

Stainless Steel Thickness: 1.2mm,

Spashback: 150mm, to back only,

Apron Size: 75mm,

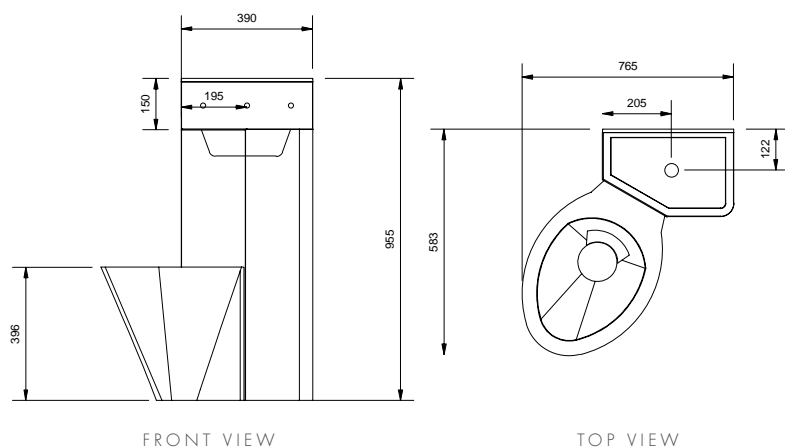
Waste Outlet: 40mm,

Flush Capacity: 4 to 6 litres,

Max Load Capacity: 400kg,

Installation: The flanges have fixing slots suitable for 8mm threaded rods,
Additional Info: Provision for the basin spout and push button of the flush valves to be installed in the duct behind the unit.

Pan can be installed to the left, right or centre (to be specified).



Heavy Duty Wash Hand Basin with Apron and Splashback



Specification: SR-WHB-HDPS - Heavy Duty Prison WHB with Apron and Splashback

Sunridge Model: SR-WHB-HDPS,

Size: 382 x 390 x 490mm,

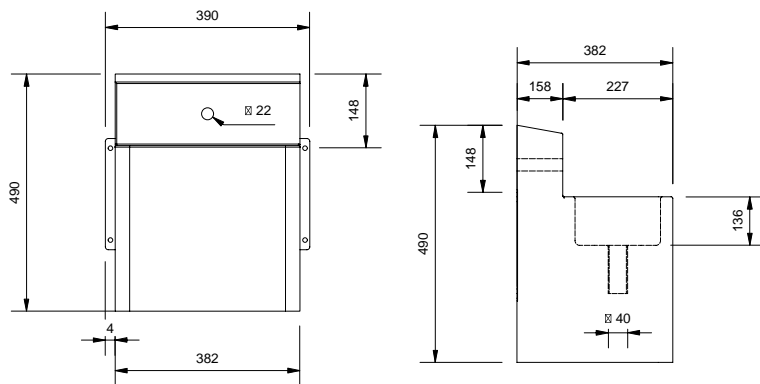
Stainless Steel Thickness: 1.2mm,

Splashback: 150mm to back only,

Apron: 75mm,

Turn Down: 60 x 12mm all around,

Framework: 30 x 30 x 3mm with galvanised backing sheet.



FRONT VIEW

SIDE VIEW

Prison Type HD Wall Hung Urinal with Extended Pipe



Specification: SR-TE-BOWL-PR with Extended Back Entry Outlet

Sunridge Model: SR-TE-BOWL-PR,

Size: 415 x 355 x 250mm,

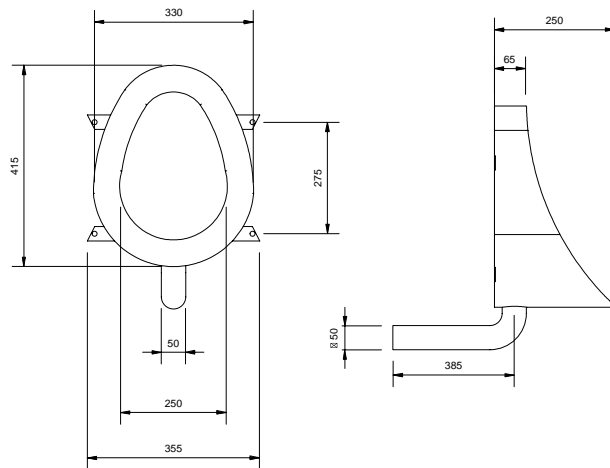
Stainless Steel Thickness: 1.2mm,

Installation: Urinal to be fitted with two security type mounting brackets using 4 x M8 raw bolts (to be supplied by the installer),

Additional Info: 50mm outlet pipe extending to 250mm,

Back entry inlet,

Supplied with waste: 40mm.



FRONT VIEW

SIDE VIEW



Tel: +27 (0)86 134 4434 / +27 (0)31 940 1873

2Nobel Avenue, Modderfontein,
Johannesburg, 1610, South Africa

Tel: +27 (0)86 134 4434 / +27 (0)31 940 1873

54 Alexander Road, Westmead, Pinetown,
Durban, South Africa

Tel: +27 (0)86 134 4434 / +27 (0)21 879 1655

Unit 1 & 2, 13 and 15 Chardonnay Road, Saxenburg Park 1,
Cape Town, South Africa