

# 2024 PRODUCT COLLECTION







## Discover our collection

Beautifully designed products, which combine elegant sculpted lines with the ultimate experience in comfortable bathing.

Our aim is to provide inspiration to all luxury bathroom designs with these beautiful, natural centerpieces, which are adaptable to both contemporary and traditional bathroom settings.

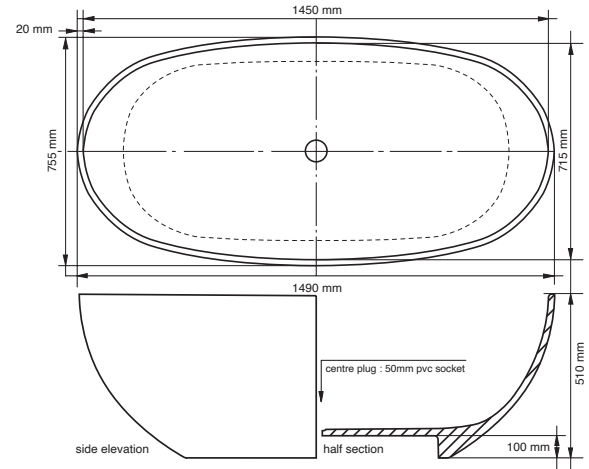
Individually crafted, each timeless piece is created using a carefully blended composite of high quality resin and stone which is hand polished to a lustrous finish, resulting in a smooth, hard-wearing product that has the natural beauty of stone but feels warm to the touch and offers exceptional heat insulation. Our products can be shipped worldwide and are available in a wide range of innovative gloss or natural matt stone finishes.

Make a statement for years to come by investing in your bathroom for life when you purchase one of our stylish products and create the ultimate indulgence of a luxury hotel within your own bathroom.

# AMELIA BATH



livingstone  
baths



L 1490MM X W 755MM X H 510MM

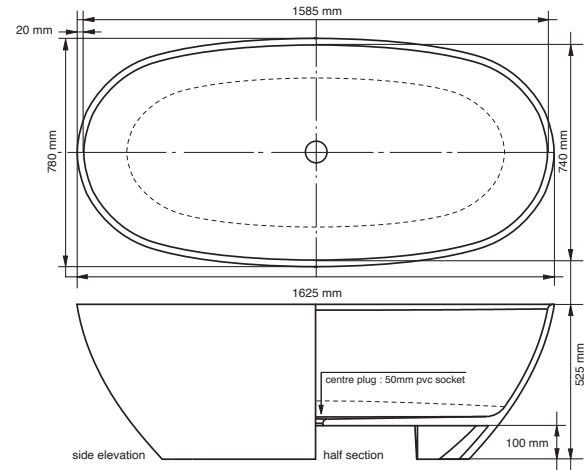
Base Dimensions: 920 x 460 mm

[www.livingstonebaths.com](http://www.livingstonebaths.com)

# TAYLOR BATH



livingstone  
baths



L 1625MM X W 780MM X H 525MM

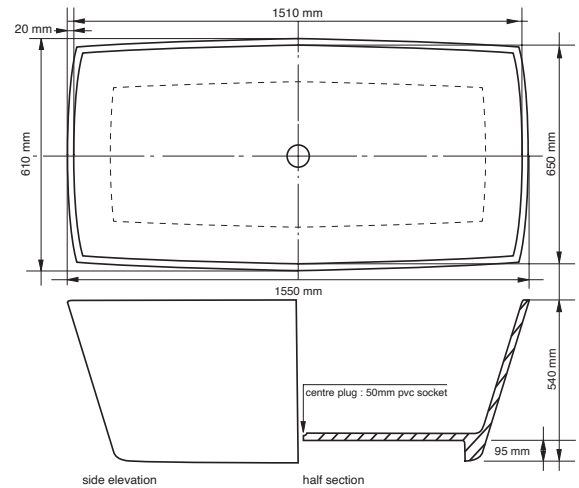
Base Dimensions: 1045 x 510 mm

[www.livingstonebaths.com](http://www.livingstonebaths.com)

# ALEXA BATH



livingstone  
baths



L 1550MM X W 650MM X H 540MM

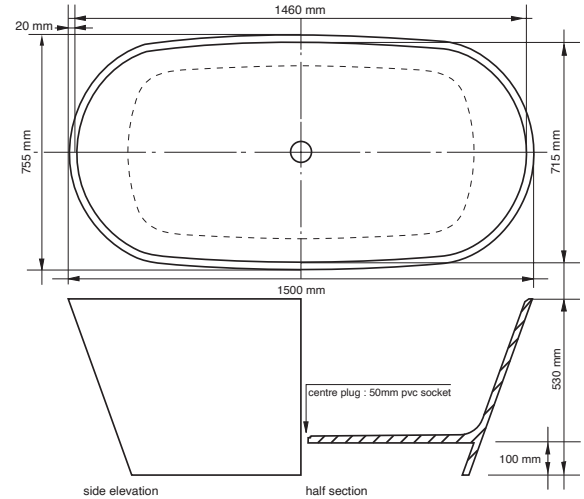
Base Dimensions: 1260 x 530 mm

[www.livingstonebaths.com](http://www.livingstonebaths.com)

# FRANCES BATH



livingstone  
baths



L 1500MM X W 755MM X H 530MM

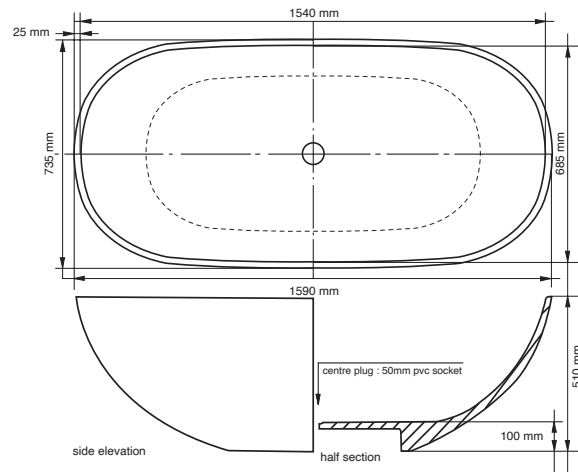
Base Dimensions: 1100 x 570 mm

[www.livingstonebaths.com](http://www.livingstonebaths.com)

# CHLOE BATH



livingstone  
baths



L 1590MM X W 735MM X H 510MM

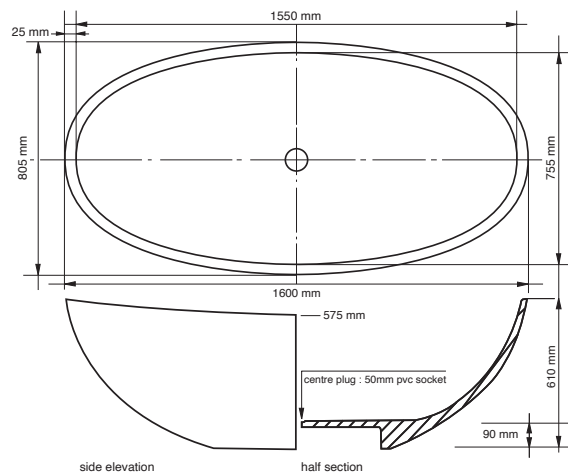
Base Dimensions: 780 x 410 mm

[www.livingstonebaths.com](http://www.livingstonebaths.com)

# SIENNA BATH



livingstone  
baths



L 1600MM X W 805MM X H 610MM

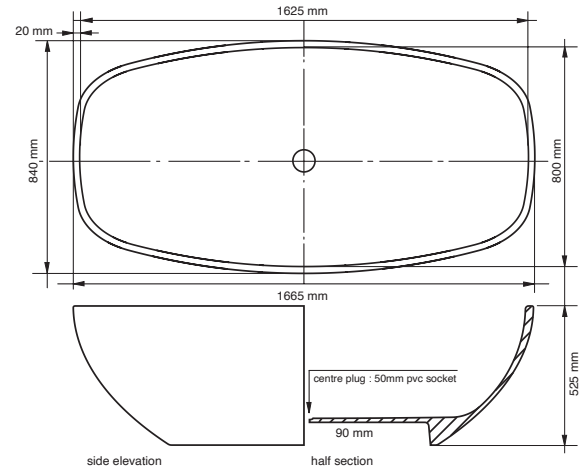
Base Dimensions: 755 x 350 mm

[www.livingstonebaths.com](http://www.livingstonebaths.com)

# ZARA BATH



livingstone  
baths



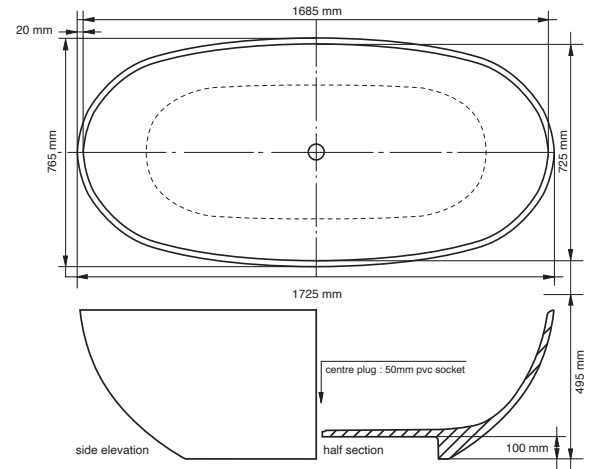
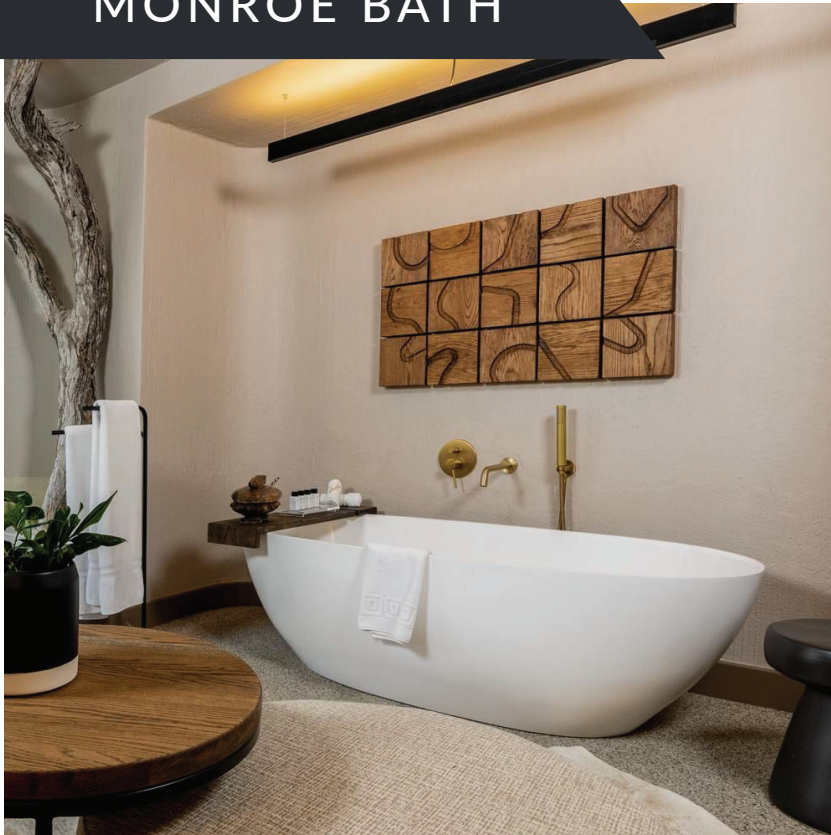
L 1665MM X W 840MM X H 525MM

Base Dimensions: 920 x 460 mm

[www.livingstonebaths.com](http://www.livingstonebaths.com)

# MONROE BATH

livingstone  
baths



L 1725MM X W 765MM X H 520MM

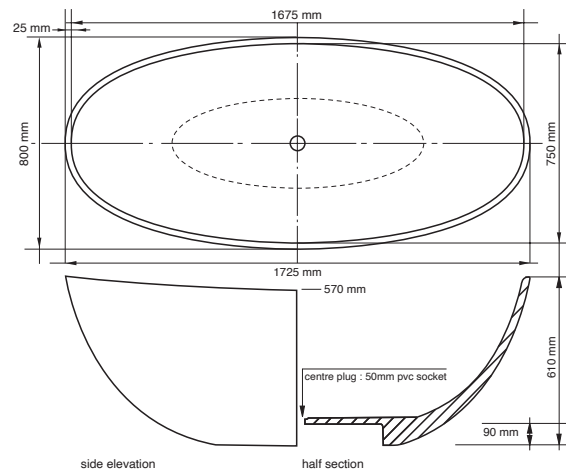
Base Dimensions: 1190 x 530 mm

[www.livingstonebaths.com](http://www.livingstonebaths.com)

# DAKOTA BATH



livingstone  
baths



L 1725MM X W 800MM X H 610MM

Base Dimensions: 855 x 350 mm

[www.livingstonebaths.com](http://www.livingstonebaths.com)

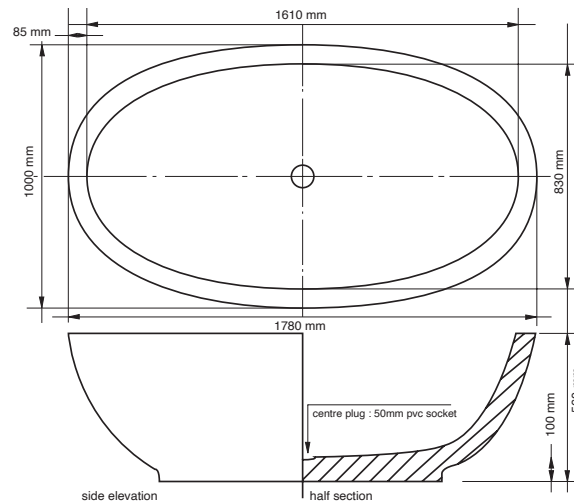
# ISOLA BATH



L 1780MM X W 1000MM X H 560MM

Base Dimensions: 900 x 320 mm

livingstone  
baths



[www.livingstonebaths.com](http://www.livingstonebaths.com)

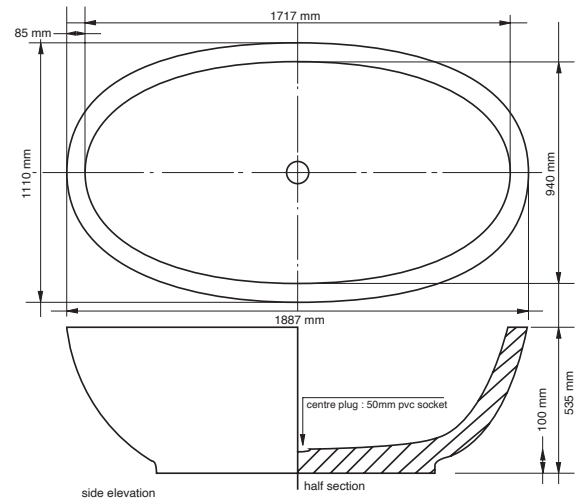
# LUSSO BATH



L 1887MM X W 1110MM X H 535MM

Base Dimensions: 1065 x 450 mm

livingstone  
baths



[www.livingstonebaths.com](http://www.livingstonebaths.com)



# livingstone baths

Individually crafted, each timeless freestanding bath is created using a carefully blended composite of high-quality resin and stone which is hand polished to a lustrous finish.



Durable



Scratch Resistant



UV Stable



Non Porous



Easy to Clean



Stain Resistant



Repairable



Mould Resistant

While retaining the natural beauty of stone, the insulation properties help maintain the temperature of the water for a longer, more relaxing bathing experience.



Each product is backed by a 25 year manufacturers warranty.

# BASIN RANGE



**Stella Basin**  
350 x 350 x 115 mm



**Amber Basin**  
370 x 370 x 110 mm



**Maya Basin**  
490 x 220 x 110 mm



**Nuova Basin**  
660 x 415 x 115 mm



**Gemelli Basin**  
550 x 335 x 160 mm



**Risata Basin**  
550 x 350 x 160 mm



**Sophia Basin**  
550 x 355 x 145 mm



**Ophelia Basin**  
545 x 360 x 145 mm



**Mila Basin**  
540 x 345 x 120 mm



**Butler Basin**  
605 x 400 x 210 mm

Visit our website for more images and specifications of all our basins

[www.livingstonebaths.com](http://www.livingstonebaths.com)



Livingstone Baths (Pty) Ltd  
10-14 Evans Ave, Epping, Cape Town, 7475

Jhb Sales | +27 (0)83 799 4347

Cpt Sales | +27 (0)84 482 1958

t | +27 (0)21 556 8952

f | +27 (0)86 226 9551

e | sales@livingstonebaths.com

[www.livingstonebaths.com](http://www.livingstonebaths.com)